
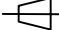
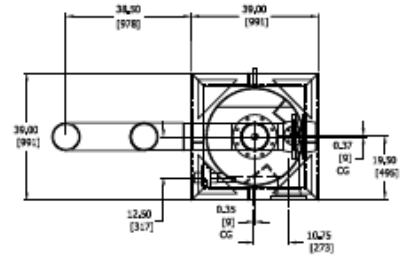


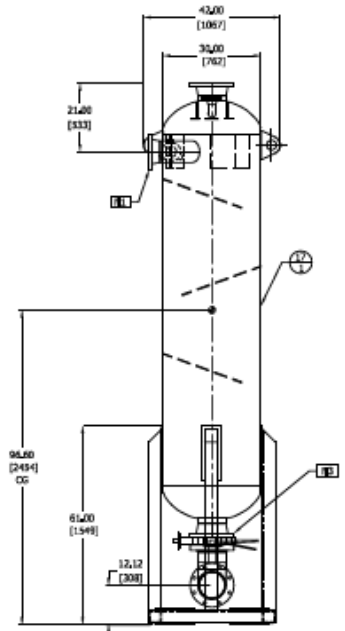
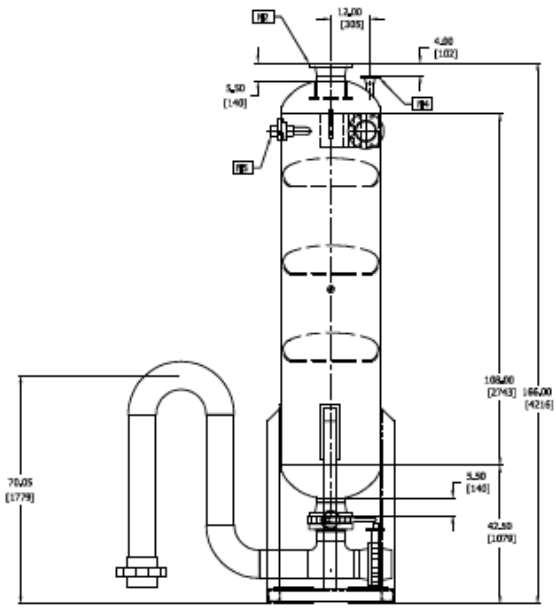
# 166" x 30" 2300lb Mud Gas Separator

DO NOT SCALE   IF IN DOUBT ASK




NOZZLE SCHEDULE				
NOL	DESCRIPTION	SIZE (INCHES)	PRESSURE RATING PSI	END CONNECTION
N1	MUD INLET/INSPECTION	8	150	API 6F
N2	GAS DISCHARGE/INSPECTION	8	150	API 6F
N3	MUD DISCHARGE/INSPECTION	8	150	API 6F
N4	SENSOR PORT/INSPECTION	2	150	API 6F
N5	MUD INLET	2	15,000	PSG 1500

- NOTES
1. MANUFACTURED IN ACCORDANCE WITH ASME SECTION VIII, DIVISION 1, SECTION IX FOR LETHAL SERVICES AND NACE STANDARD MR010 FOR H2S SERVICE (MAXIMUM HRC 22).
  2. WORKING PRESSURE: 125 PSIG (1.6 BAR) WORKING TEMPERATURE: -60°F (-50°C) TO 300°F (177°C).
  3. FINISH PER CUSTOMER CONTRACT; IF NOT SPECIFIED FINISH PER S.S. 268.
  4. PRESERVATION PROCEDURE S.S. 268.
  5. APPROXIMATE WEIGHT CONTROL: 2300 LBS. (1046 KG).
  6. INTERNAL CORROSION ALLOWANCE 1/16 INCH.




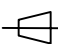
**ISSUED FOR COMMENT/ APPROVAL**

A1	9/18/08	RC	RC

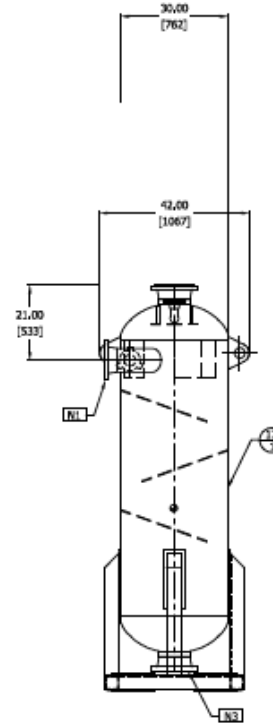
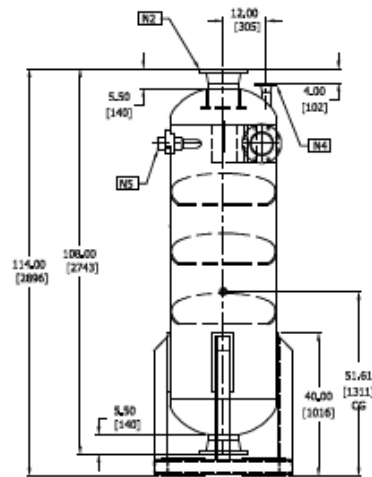
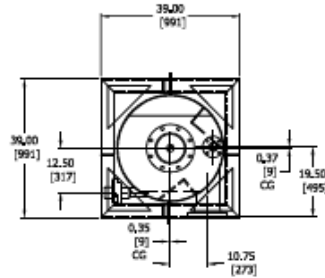
**RSSUS Inc.**  
 Risk Supply Services US Inc.  
 THIS DOCUMENT IS ISSUED IN CONFIDENCE FOR THE PURPOSE ONLY FOR WHICH IT IS SUPPLIED IT MUST NOT BE REPRODUCED IN WHOLE OR IN PART OR USED FOR TENDERING OR MANUFACTURE EXCEPT UNDER AGREEMENT FROM RIG SUPPLY SERVICES US INC. AND THEN ONLY ON THE CONDITION THAT THIS IS INCLUDED IN ANY REPRODUCTION

Project: MSG Example  
 Title: MSG20068  
 DRG. No. RSSUS-0000891 page 1

# 114" x 30" 1700lb Mud Gas Separator

DO NOT SCALE   IF IN DOUBT ASK

NOZZLE SCHEDULE				
N.O.	DESCRIPTION	SIZE (INCHES)	PRESSURE RATING (PSI)	END CONNECTION
N1	MUD INLET/INSPECTION	6	150	ANSI RF
N2	GAS DISCHARGE/INSPECTION	8	150	ANSI RF
N3	MUD DISCHARGE/INSPECTION	8	150	ANSI RF
N4	SENSOR PORT/INSPECTION	2	150	ANSI RF
N5	MUD INLET	2	15,000	FIG 1502




- NOTES
1. MANUFACTURED IN ACCORDANCE WITH ASME SECTION VIII, DIVISION 1, SECTION IX FOR LETHAL SERVICES AND NACE STANDARD MR0175 FOR H2S SERVICE (MAXIMUM HRC 22).
  2. WORKING PRESSURE 125 PSIG (8.6 BARG). WORKING TEMPERATURE: -60°F (-51°C) TO 350°F (177°C).
  3. FINISH PER CUSTOMER CONTRACT, IF NOT SPECIFIED FINISH PER 5.5.10.1.
  4. PRESERVATION PROCEDURE 5.5.262.
  5. APPROXIMATE WEIGHT CONTROL 2300 LBS. (1046 KG).
  6. INTERNAL CORROSION ALLOWANCE 1/16 INCH.

**ISSUED FOR COMMENT/APPROVAL**


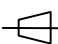
A1	9/18/08	RC	RC	

**RSSUS Inc.**  
Risk Supply Services US Inc.

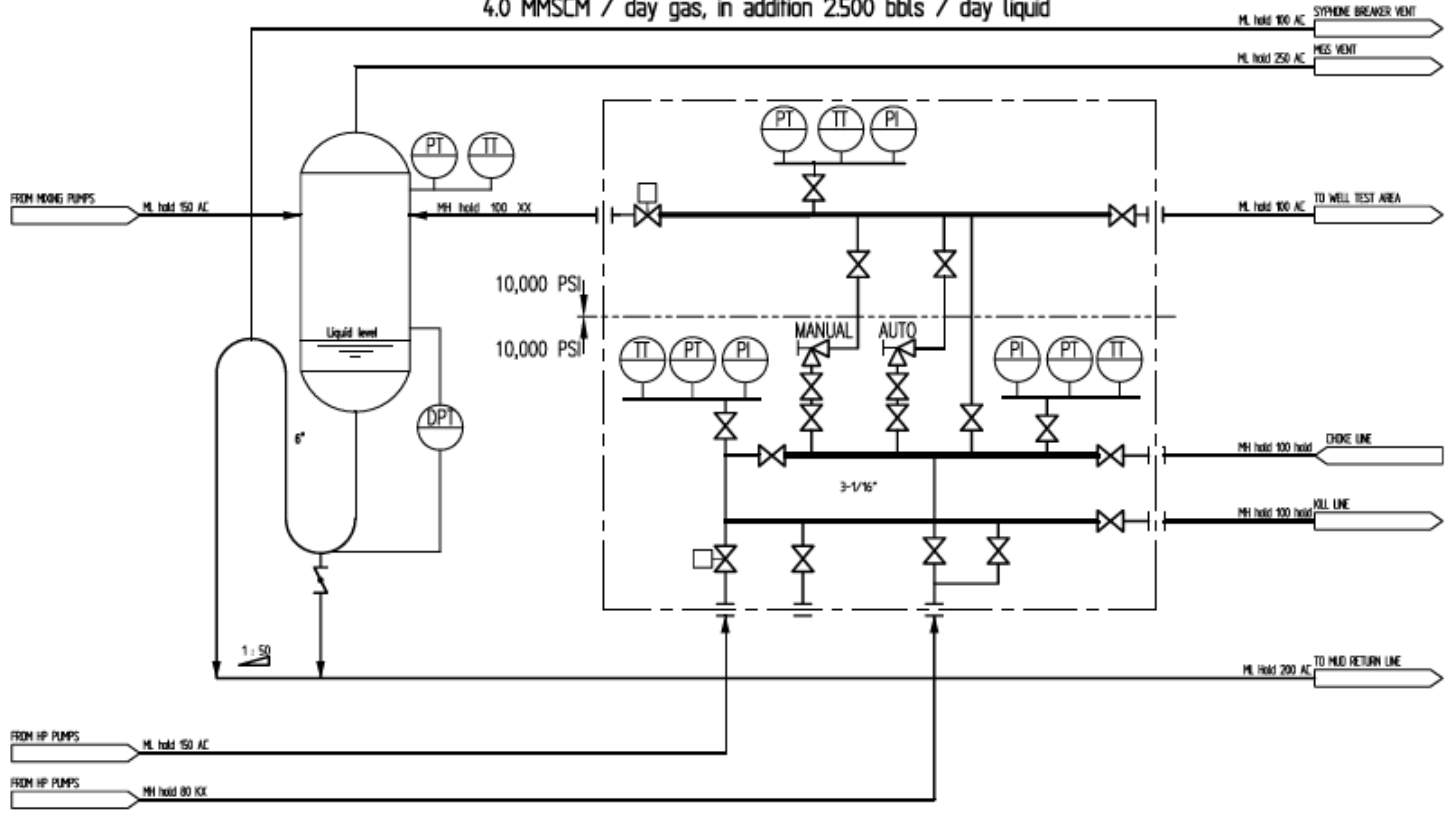
 THIS DOCUMENT IS ISSUED IN CONFIDENCE FOR THE PURPOSE ONLY FOR WHICH IT IS SUPPLIED. IT MUST NOT BE REPRODUCED IN WHOLE OR IN PART OR USED FOR TENDERING OR MANUFACTURE EXCEPT UNDER AGREEMENT FROM RIG SUPPLY SERVICES US INC. AND THEN ONLY ON THE CONDITION THAT THIS IS INCLUDED IN ANY REPRODUCTION.

Project: MSG Example  
Title: MSG20068  
DRG. No. RSSUS-0000891 page 2

# Mud Gas Separator – MSG configuration example.

DO NOT SCALE   IF IN DOUBT ASK

20,000 bbls / day liquid, in addition 5 MMSCF/day gas.  
 4.0 MMSCM / day gas, in addition 2,500 bbls / day liquid



**ISSUED FOR COMMENT/ APPROVAL**

A1	9/18/08	RC	RC	

**RSSUS Inc.**  
 Risk Supply Services US Inc.  
 © THIS DOCUMENT IS ISSUED IN CONFIDENCE FOR THE PURPOSE ONLY FOR WHICH IT IS SUPPLIED IT MUST NOT BE REPRODUCED IN WHOLE OR IN PART OR USED FOR TENDERING OR MANUFACTURE EXCEPT UNDER AGREEMENT FROM RIG SUPPLY SERVICES US INC. AND THEN ONLY ON THE CONDITION THAT THIS IS INCLUDED IN ANY REPRODUCTION

Project: MSG Example  
 Title: MSG20068  
 DRG. No. RSSUS-0000891 page 2